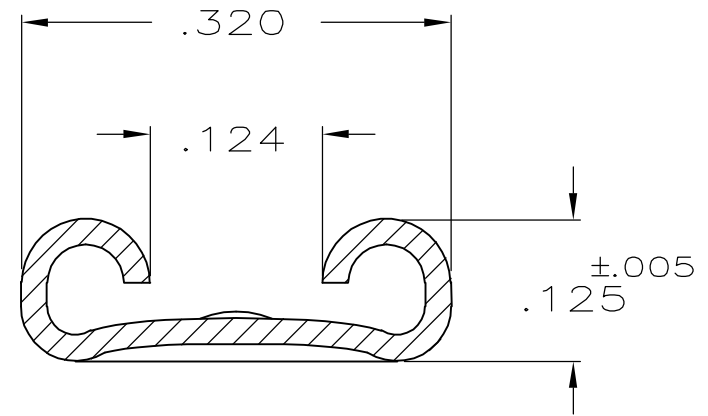
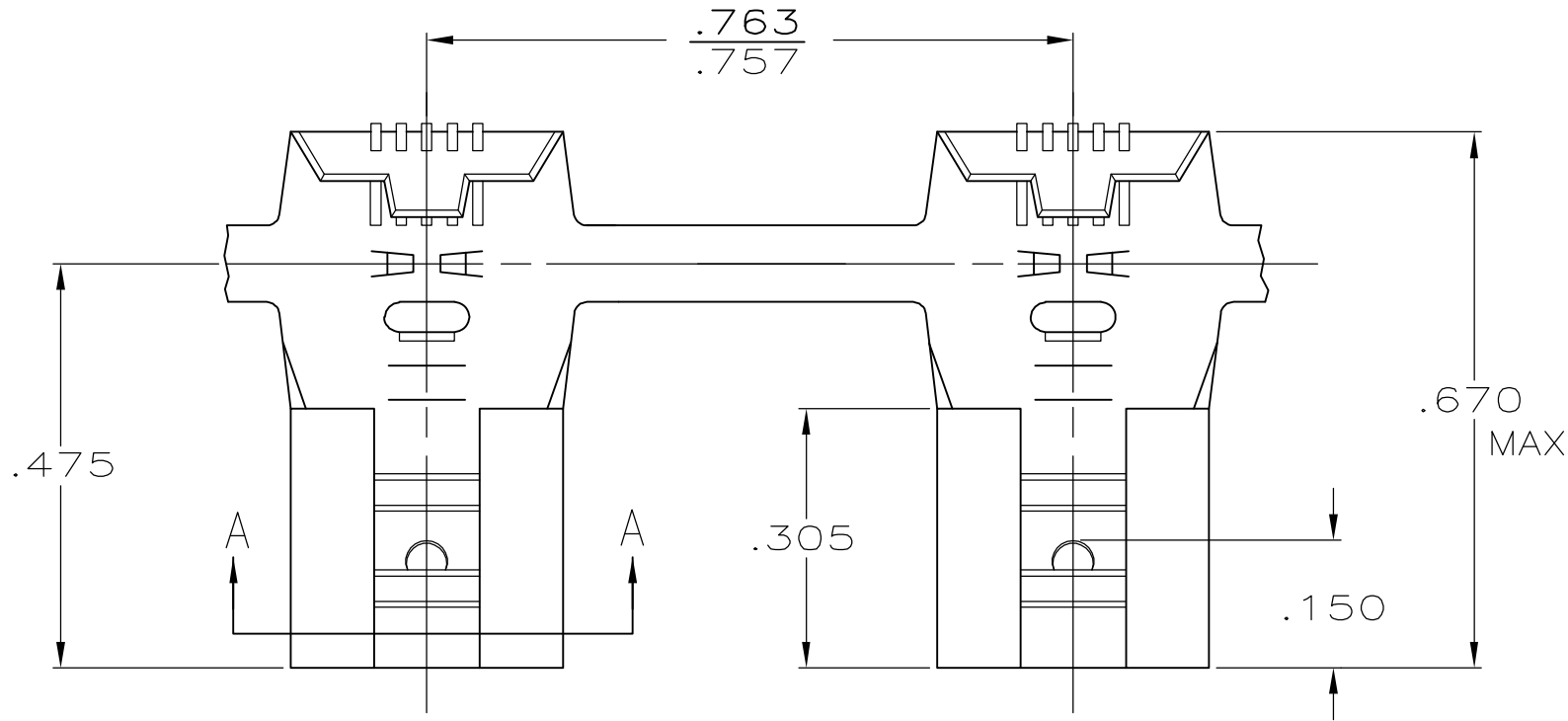


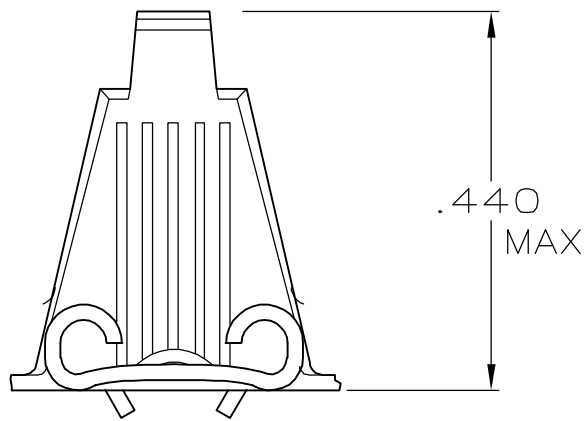
THIS DRAWING IS UNPUBLISHED.      RELEASED FOR PUBLICATION      - , - .  
 © COPYRIGHT - BY TYCO ELECTRONICS CORPORATION.      ALL RIGHTS RESERVED.

LOC	DIST	REVISIONS			
P	LTR	DESCRIPTION	DATE	DWN	APVD
AF	50	W1	REL PER ECR 05-011051	16SEP05	JR PD

1- CONTINUOUS STRIP ON REELS.



SECTION A-A



OBSOLETE

REV.	REEL L.H.	12-10	.032 ±.001	TIN	.018 PHOS. BRONZE	62057-8
REV.	REEL L.H.	12-10	.032 ±.001	SILVER	.018 PHOS. BRONZE	62057-7
REV.	REEL L.H.	12-10	.032 ±.001		.018 BRASS	62057-6
		12-10	.032 ±.001	TIN	.018 PHOS. BRONZE	62057-5
REV.	REEL L.H.	12-10	.032 ±.001	TIN	.018 4M BRASS	62057-4
		12-10	.032 ±.001	TIN	.018 4M BRASS	62057-3
		12-10	.032 ±.001	SILVER	.018 PHOS. BRONZE	62057-1
	REELING	WIRE SIZE	TAB THK	FINISH	MATERIAL	PART NO.

THIS DRAWING IS A CONTROLLED DOCUMENT.		DWN JR RUTH 2/3/86	Tyco Electronics Corporation Harrisburg, PA 17105-3608		
DIMENSIONS: INCHES		CHK R KUZO 2/7/86			
		APVD C MEYERS 2/7/86	NAME		
TOLERANCES UNLESS OTHERWISE SPECIFIED:		PRODUCT SPEC	.250 SERIES FLAG FASTON RECEPTACLE		
0 PLC ± -		APPLICATION SPEC	-		
1 PLC ± -		WEIGHT	-		
2 PLC ± -		SIZE	CAGE CODE	DRAWING NO	RESTRICTED TO
3 PLC ± .015		A3 00779		C-62057	-
4 PLC ± -		CUSTOMER DRAWING			
ANGLES ± -		SCALE	SHEET	REV	
FINISH		1:1	1 of 1	W1	
SEE TABLE					